

Revolution Digester Sapling® with Cube

BioHiTech America, A Renovare Environmental Company

Capacity & Dimensions

24-hour Capacity	up to 800 lb	up to 363 kg
Width	50"	127 cm
Height	59"	147 cm
Depth	31"	76 cm
Weight	800 lbs	363 kg

Utility Usage

Water Consumption	30-60 gallons (114-230 l) / day
Power Consumption	75-150 kilowatt hours / month
Effluent Discharge	60-100 gal (230-380 l) / day

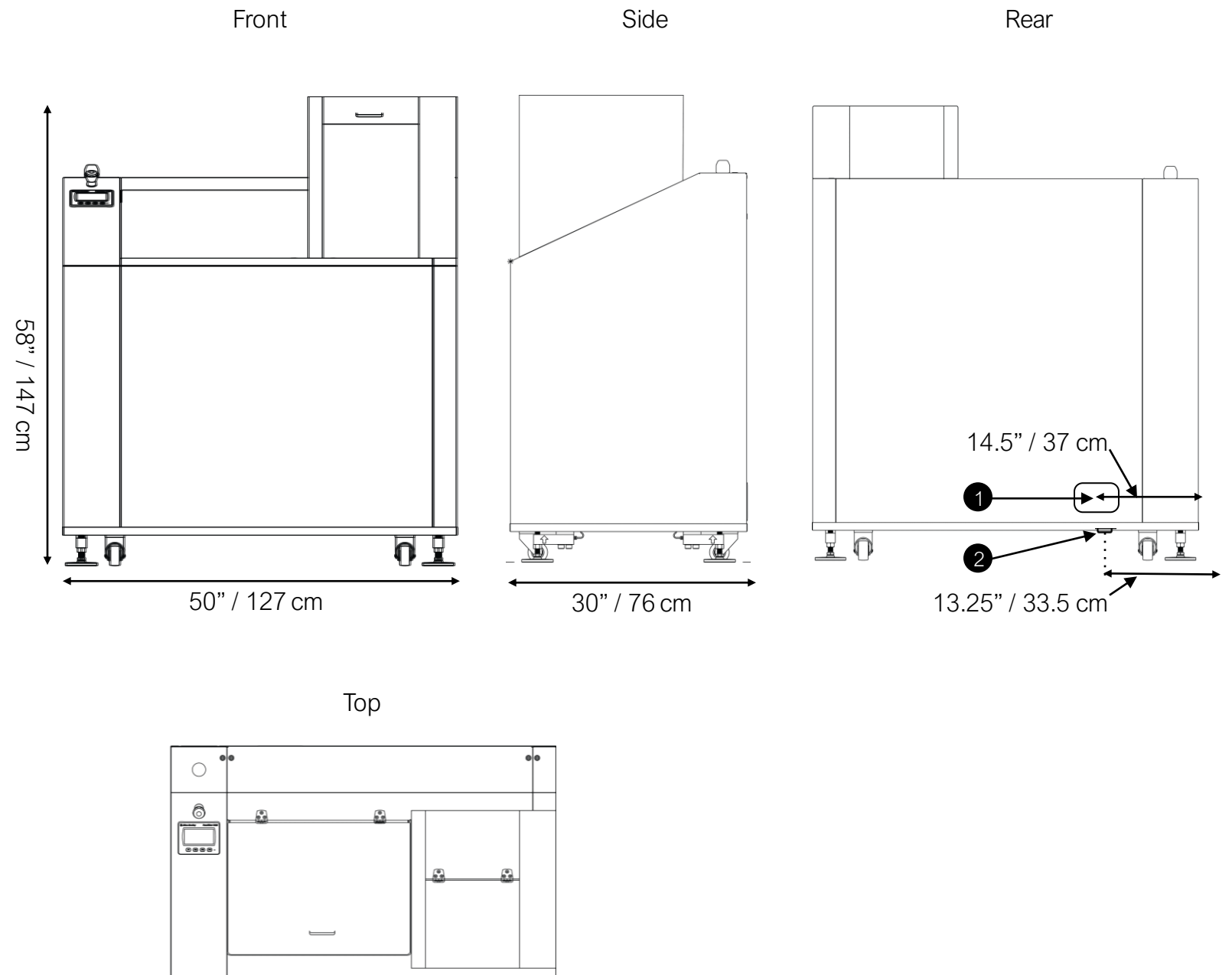
Utility Connections

- 1 Water, Power, Ethernet Port, Cable for Data Access
- 2 Effluent (to sewer line) - 2" OD, 1.5" NPT ID

Utility Requirements

Power	United States: 15 Amp, 115V AC [1] International: 220V/50Hz or 220V/60Hz AC [2]
Water	Warm water 90°-110° F (32°-43° C) Water pressure 50 - 80 PSI (3.5 - 5.5 bars)

[1] Requires a non-GFI (Ground Fault Interrupter) outlet with a 15 Amp (minimum) breaker and consistent voltage.
[2] Access to 187V to 240V AC Power Outlet at 50/60Hz (plug type will be sourced locally and may vary by country). Access to 16 Amp wall-mounted socket with isolator backed up with a 16 amp type d rated breaker (motor and inverter rated). The outlet should be a non-GFI (Ground Fault Interrupter) outlet. GFI outlets are not supported at this time. Integrity of power source is vital. Incoming power must supply consistent voltage.



Revolution Digester Sapling® with Cube

Capacity & Dimensions

24-hour Capacity	up to 800 lb	up to 363 kg
Width	50"	1270 mm
Height	59.24"	1504.696 mm
Depth	31"	787.4 mm
Weight	800 lbs	363 kg

Utility Usage

Water Consumption	30-60 gallons (115-230 L) / day
Power Consumption	75-150 kilowatt hours / month
Effluent Discharge	60-100 gal (230-380 L) / day

Utility Connections

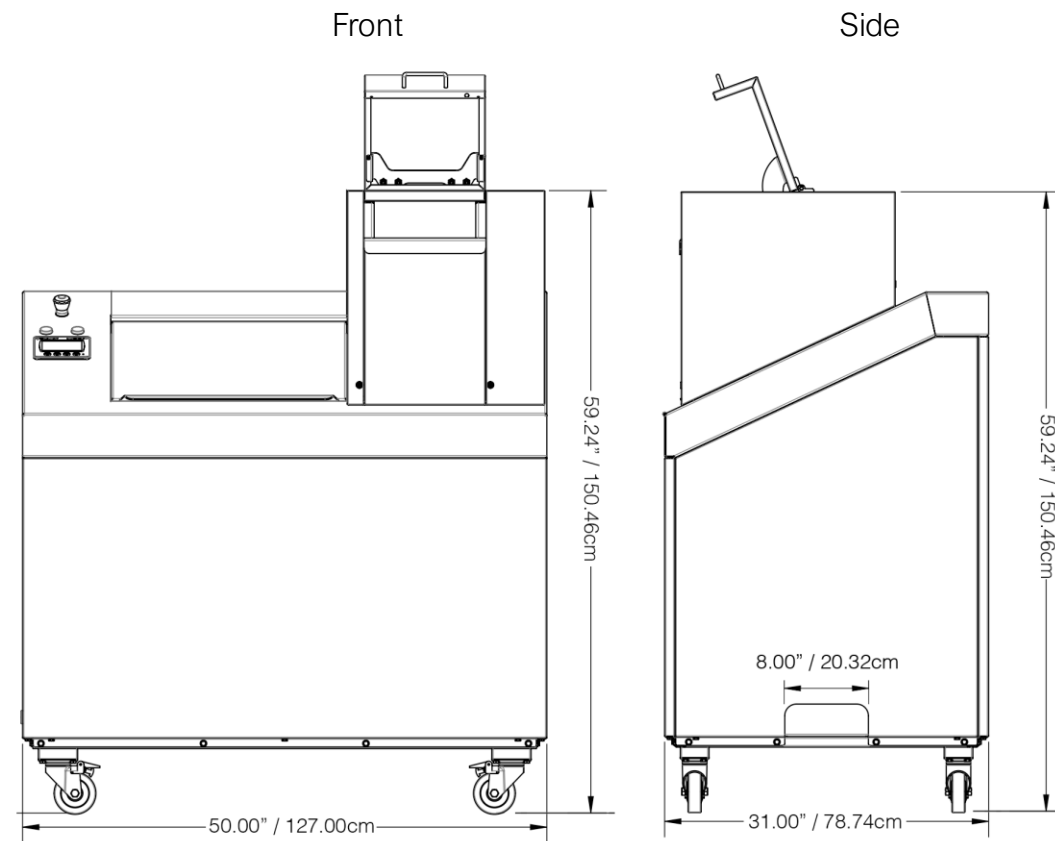
- 1 Water, Power, Ethernet Port, Cable for Data Access
- 2 Effluent (to sewer line) - 2" OD, 1.5" NPT ID

Utility Requirements

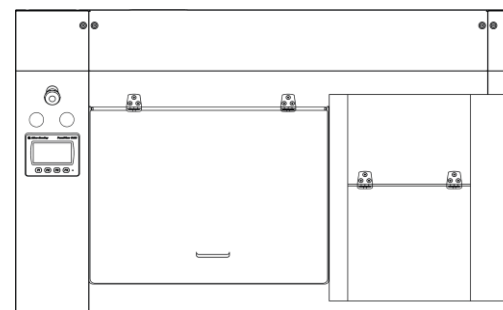
Power	United States: 15 Amp, 115V AC [1] International: 220V/50Hz or 220V/60Hz AC [2]
Water	Warm water 90°-110° F (32°-43° C) Water pressure 50 - 80 PSI (3.5 - 5.5 bars)

[1] Requires a non-GFI (Ground Fault Interrupter) outlet with a 15 Amp (minimum) breaker and consistent voltage.

[2] Access to 187V to 240V AC Power Outlet at 50/60Hz (plug type will be sourced locally and may vary by country). Access to 16 Amp wall-mounted socket with isolator backed up with a 16 amp type d rated breaker (motor and inverter rated). The outlet should be a non-GFI (Ground Fault Interrupter) outlet. GFI outlets are not supported at this time. Integrity of power source is vital. Incoming power must supply consistent voltage.



Top



Revolution Digester Sapling® with Cube

Capacity & Dimensions

24-hour Capacity	up to 800 lb	up to 360 kg
Width	50"	1270 mm
Height	59.24"	1504.696 mm
Depth	31"	787.4 mm
Weight	800 lbs	363 kg

Utility Usage

Water Consumption	30-60 gallons (115-230 L) / day
Power Consumption	75-150 kilowatt hours / month
Effluent Discharge	60-100 gal (230-380 L) / day

Utility Connections

- 1 3 Water, Power, Ethernet Port, Cable for Data Access
- 2 Effluent (to sewer line) - 2" OD, 1.5" NPT ID

[1] Requires a non-GFI (Ground Fault Interrupter) outlet with a 15 Amp (minimum) breaker and consistent voltage.

[2] Access to 187V to 240V AC Power Outlet at 50/60Hz (plug type will be sourced locally and may vary by country). Access to 16 Amp wall-mounted socket with isolator backed up with a 16 amp type d rated breaker (motor and inverter rated). The outlet should be a non-GFI (Ground Fault Interrupter) outlet. GFI outlets are not supported at this time. Integrity of power source is vital. Incoming power must supply consistent voltage.

[3] Power, water, network, and drain are located on the left-hand side but can be field changed to the right-hand side.

