

Revolution Digester Sprout®

BioHitech America, A Renovare Company

Capacity & Dimensions

24-hour Capacity	up to 670 lb	up to 303 kg
Width	40"	102 cm
Height	48"	123 cm
Depth	30"	76 cm
Weight	670 lbs	303 kg

Utility Usage

Water Consumption	20-40 gallons (75-150 l) / day
Power Consumption	70-150 kilowatt hours / month
Effluent Discharge	40-80 gal (150-300 l) / day

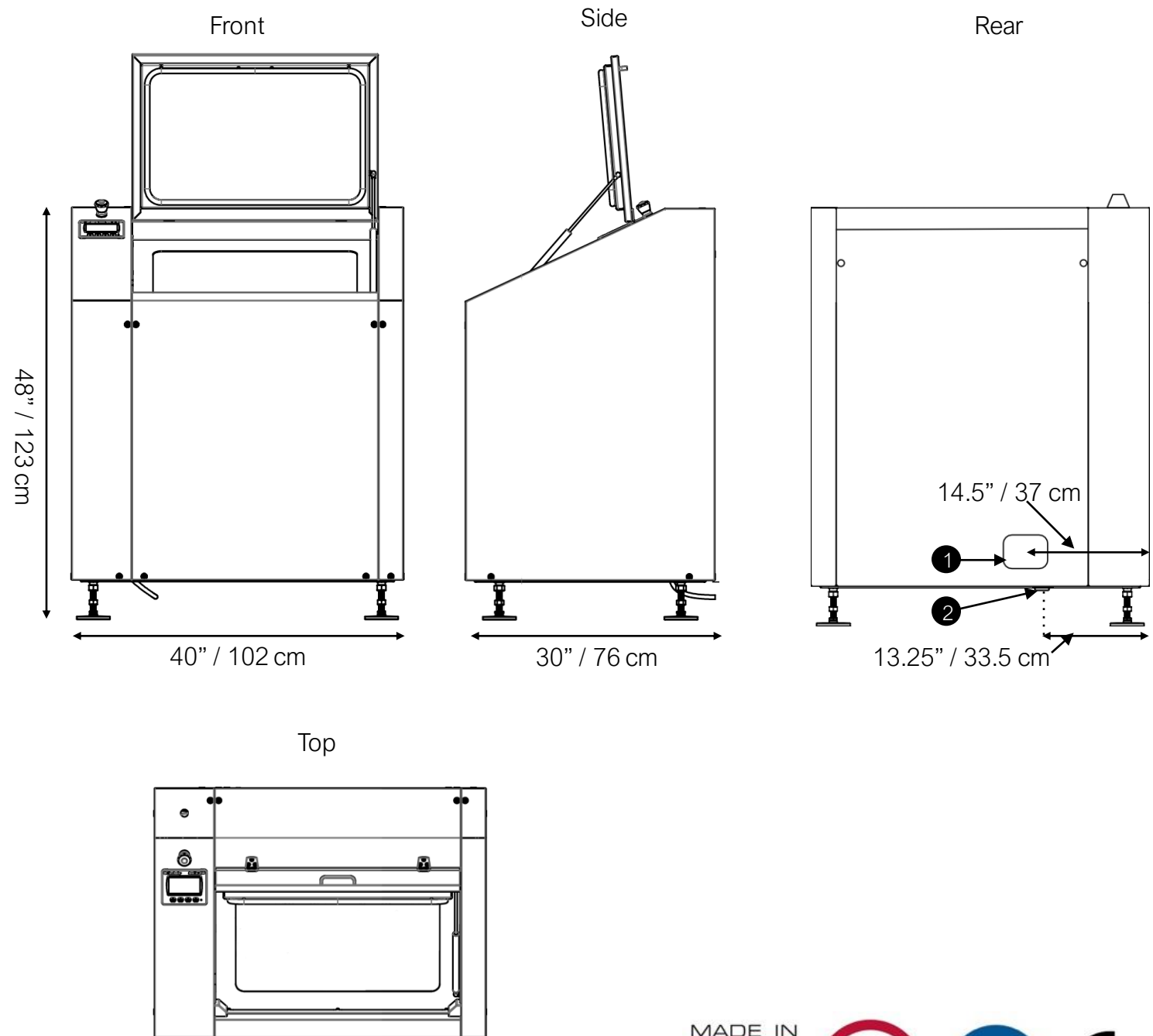
Utility Connections

- 1 Water, Power, Ethernet Port, Cable for Data Access
- 2 Effluent (to sewer line) - 2" OD, 1.5" NPT ID

Utility Requirements

Power	United States: 15 Amp, 115V AC [1] International: 220V/50Hz or 220V/60Hz AC [2]
Water	Warm water 90°-110° F (32°-43° C) Water pressure 50 - 80 PSI (3.5 - 5.5 bars)

[1] Requires a non-GFI (Ground Fault Interrupter) outlet with a 15 Amp (minimum) breaker and consistent voltage.
[2] Access to 187V to 240V AC Power Outlet at 50/60Hz (plug type will be sourced locally and may vary by country). Access to 16 Amp wall-mounted socket with isolator backed up with a 16 amp type d rated breaker (motor and inverter rated). The outlet should be a non-GFI (Ground Fault Interrupter) outlet. GFI outlets are not supported at this time. Integrity of power source is vital. Incoming power must supply consistent voltage.



renovare
environmental

80 Red Schoolhouse Road, Suite 101, Chestnut Ridge, NY 10977 • 888-876-9300

renovareenv.com